



GLOBEFAN TECHNOLOGY CO., LTD.

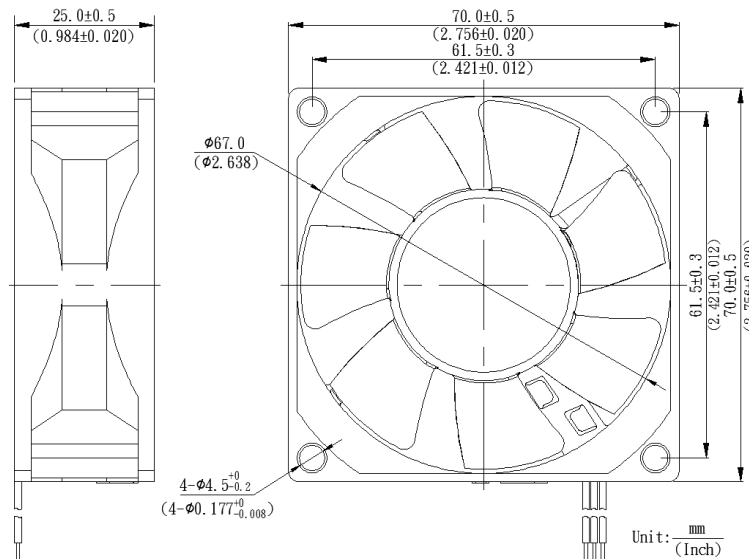
No. 28, 3 Lane Zhongxinjin Road, Jin Industry District Shoei Kouu Village,

Da Laang Town, Dungguan City, Guangdong Province, China

Tel : +86 769 83182898~9

Fax : +86 769 83182897

◆ DIMENSIONS DRAWING



* BEARING TYPE

- Ball bearing
- Sleeve bearing

* Electrical Function

- Frequency Generator Output Signal
- RD (Lock Detection) Output Signal

* Material

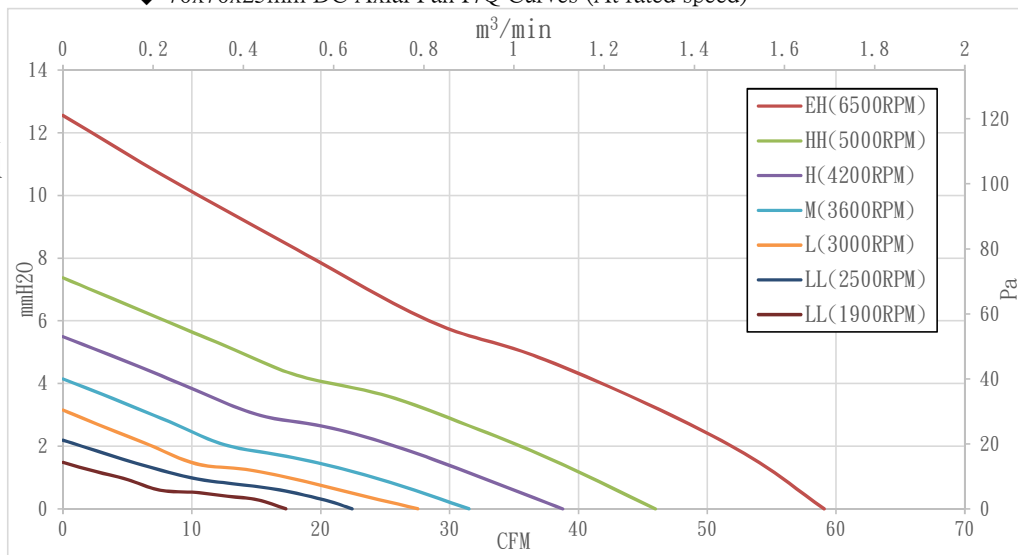
- Impeller: Plastic (PBT 30%GF)
- Frame : Plastic (PBT 30%GF)

* Lead wires

- UL1007 26AWG or Equivalent
- Black Wire Negative (-)
- Red or Yellow Wire Positive (+)
- White Wire Signal (FG)
- Blue Wire (PWM)

* Weight : 69g (2.43 oz)

◆ 70x70x25mm DC Axial Fan P/Q Curves (At rated speed)



MODEL	Operating Voltage Range	Rated Voltage	Rated Current	Rated Input Power	Speed	Maximum Air Flow		Maximum Air Pressure		Noise
Part No.	VDC	VDC	Amp	Watts	R.P.M	m ³ /min	CFM	mmH ₂ O	Pa	dB(A)
B/S0702512LL-3M	6 ~13.8	12	0.08	1.0	1900±10%	0.49	17.29	1.48	14.51	18.3
B/S0702512L-3M	6 ~13.8	12	0.12	1.4	3000±10%	0.78	27.54	3.15	30.89	28.5
B/S0702512M-3M	6 ~13.8	12	0.17	2.0	3600±10%	0.92	32.47	4.14	40.60	31.5
B/S0702512H-3M	6 ~13.8	12	0.23	2.8	4200±10%	1.10	38.78	5.49	53.84	37.0
B/S0702512HH-3M	6 ~13.8	12	0.33	4.0	5000±10%	1.30	45.98	7.37	72.28	41.1
B0702512EH-3M	6 ~13.8	12	0.70	8.4	6500±10%	1.67	59.08	12.55	123.07	46.5
B/S0702512LLP-4M	10.8 ~13.8	12	0.15	1.8	2500±10%	0.63	22.43	2.19	21.48	22.8
B/S0702512LP-4M	10.8 ~13.8	12	0.15	1.8	3000±10%	0.78	27.54	3.15	30.89	28.5
B/S0702512MP-4M	10.8 ~13.8	12	0.20	2.4	3600±10%	0.92	32.47	4.14	40.60	31.5
B/S0702512HP-4M	10.8 ~13.8	12	0.30	3.6	4200±10%	1.10	38.78	5.49	53.84	37.0
B/S0702524L-3M	12 ~26	24	0.08	1.9	3000±10%	0.78	27.54	3.15	30.89	28.5
B/S0702524M-3M	12 ~26	24	0.10	2.4	3600±10%	0.92	32.47	4.14	40.60	31.5
B/S0702524H-3M	12 ~26	24	0.15	3.6	4200±10%	1.10	38.78	5.49	53.84	37.0

* Function type is optional.

* The max. air flow and speed are measured in free air; max. air pressure is measured at close to zero air flow.

* Noise is measured in anechoic chamber in free air, one meter from intake side.

* All readings are typical values at rated voltage.

* Specifications are subject to change without notice.